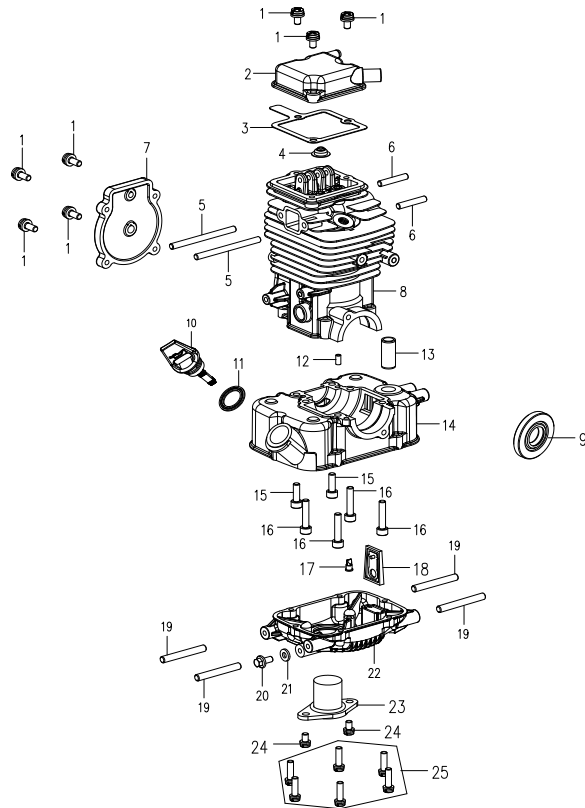
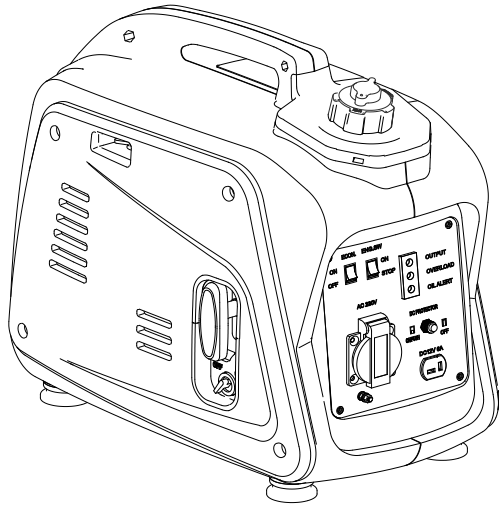


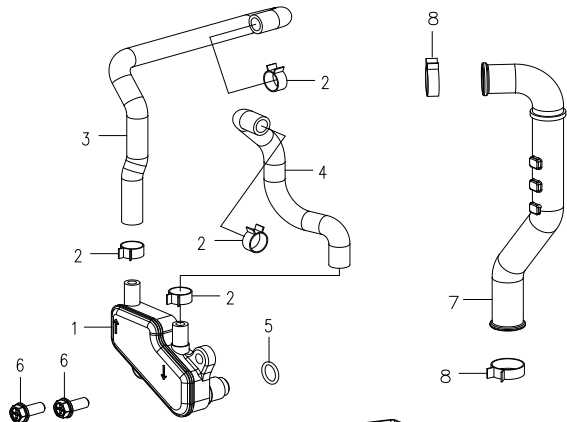
# PARTS CATALOGUE

## XYG1200i


**FIG.A CRANKCASE ASSY**

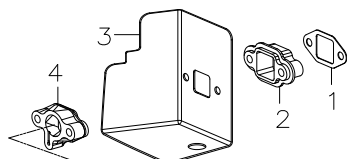
No.	Part No.	Description	Qty	\$ Each	Order Qty	Total Price	零部件中文名称	备注
1	00252000502011	Screw M5×20	7	\$0,03			十字槽元头组合螺钉M5×20镀锌	
2	14610100001001	Cylinder Head Cover	1	\$1,17			汽缸头盖	
3	14610100002011	Cylinder Head Cover Seal	1	\$0,59			汽缸头盖密封垫 (金属发泡板)	
4	14610101200101	Valve Oil Seal	1	\$0,54			气门油封	
5	14610100008001	Dual-Head Bolts M5×85	2	\$0,23			双头螺栓M5×85	
6	14760100005041	Dual-Head Bolts M5×28	2	\$0,14			双头螺栓M5×28发黑	
7	14610100003001	Cam Chamber Cover	1	\$1,40			凸轮室盖	
8	14610101100001	Upper Crankcase	1	\$12,51			上箱体组件	
9	14610100007002	Oil Seal 17×27×6	1	\$0,28			油封TC17×27×6	
10	14610102101001	Oil Gauge	1	\$0,10			油标尺	
11	14760102102101	Oil Gauge Gasket	1	\$0,10			油标尺垫	
12	00510000400801	Dowel Pin 4×8	1	\$0,03			销φ4×8	
13	14760102003001	Ventilation Nozzle	1	\$0,17			通气嘴	
14	14610102001001	Lower Crankcase	1	\$4,65			下箱体	
15	00204000602203	Screw M6×22	2	\$0,07			内六角圆柱头螺钉 M6X22	
16	00204000604501	Screw M6×45	4	\$0,10			内六角M6×45	
17	14760102002101	Rubber One-Way Valve	1	\$0,24			橡胶单向阀 (红色)	
18	14760102002101	One-Way Valve Components	1	\$0,24			橡胶单向阀 (红色)	
19	14760103003011	Dual-Head Bolts M6×36	4	\$0,16			双头螺栓M6×36发黑	
20	00031000601212	Hexagon Flange Bolt M6×12	1	\$0,04			六角法兰螺栓M6×12 (大盘头)	
21	14760103002031	Aluminium Gasket 6×13×2	1	\$0,03			铝垫片φ6×φ13×2	
22	14610103001001	Oil Pan	1	\$3,22			油底壳	
23	14620103100002	Oil Lever Sensor	1	\$1,81			油位传感器	
24	00252000601811	Screw M6×18	2	\$0,04			十字槽元头组合螺钉M6×18镀锌	
25	00252000502511	Screw M5×25	6	\$0,03			十字槽元头组合螺钉M5×25镀锌	





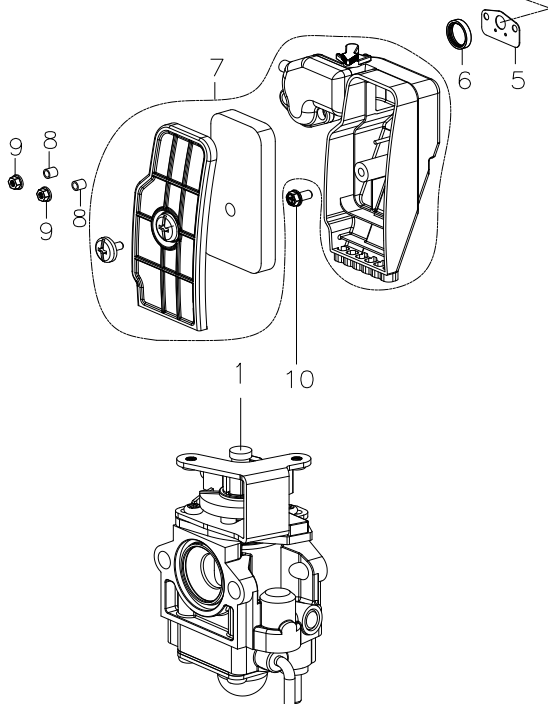
**FIG D. LUBRICATION SYSTEM**

No.	Part No.	Description	Qty	\$ Each	订货数量	总价	零部件中文名称	备注
1	14760502000101	Deaerator	1	\$0,54			油气分离器组件	
2	14760500005001	Pipe Hoop 8/ 9	4	\$0,06			卡箍8/9	
3	14610500002001	Respiratory Tube	1	\$0,55			呼吸管	
4	14610500003001	Outlet Tube	1	\$0,62			出气管	
5	14760500004003	O Ring	1	\$0,07			O型圈9*1.3 (氟胶)	
6	00031000501612	Hexagon Flange Bolt M5×16	2	\$0,04			六角法兰螺栓M5X16	
7	14610500001001	Upper Oil Pipe	1	\$0,95			上油管	
8	11311600006002	Pipe Hoop 13	2	\$0,07			管夹 13 (铁皮卡箍13/14)	



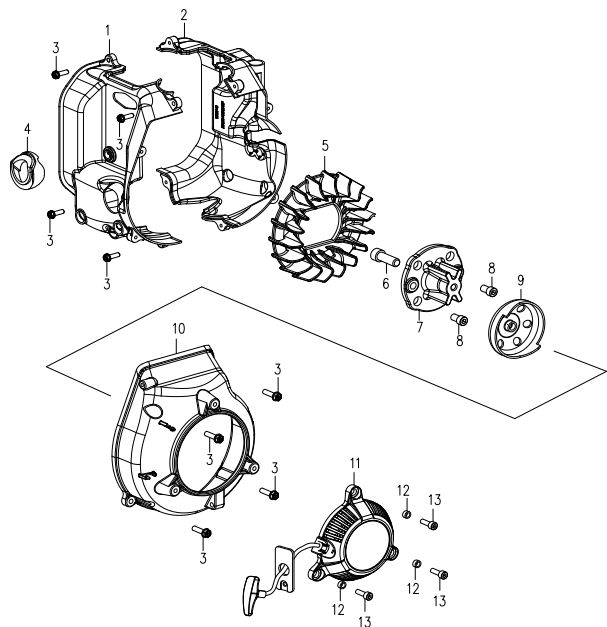
**FIG E. AIR CLEANER**

No.	Part No.	Description	Qty	\$ Each	订货数量	总价	零部件中文名称	备注
1	14610800001012	Insulation Board Gasket	1	\$0,06			隔热板垫片	
2	14610800004001	Small Insulation Board Components	1	\$0,42			小隔热垫	
3	14610800005012	Insulation Gasket	1	\$0,35			隔热垫片	
4	14610800002001	Insulation Board Components	1	\$0,42			隔热垫	
5	14780800003002	Carburator Gasket	1	\$0,07			化油器垫片 (cxw-200)	
6	14760800004001	Air Cleaner Gasket	1	\$0,11			空滤器垫	
7	14870801000001	Air Cleaner Assy.	1	\$0,96			空滤器组合	
	14760801003002	Foam	1	\$0,08			滤芯	
	14760801000101	big head chrome plated Screw	1	\$0,31			空滤器盖	
	14760801007021	Fan Volute Bush	2	\$0,01			大盖螺钉镀铬	
8	15561100004002	Hexagon Flange Bolts M5	2	\$0,04			风扇蜗壳衬套	
9	00129000500011	Hexagon Flange Bolts M5	2	\$0,04			螺母M5	
10	00427014801641	Tap Screw ST4.8×16-F.H	1	\$0,03			自攻螺钉 ST4.8×16	



**FIG.F CARBURETOR**

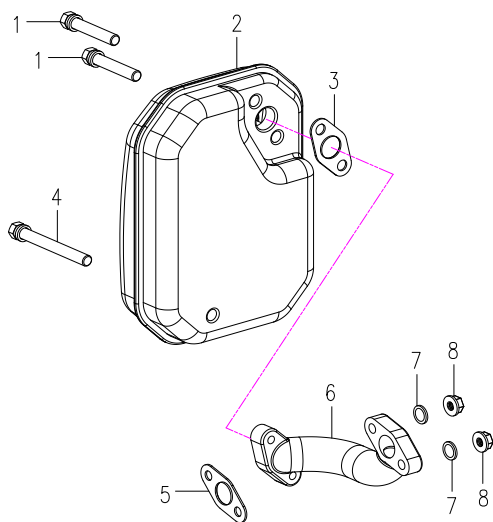
No.	Part No.	Description	Qty	\$ Each	订货数量	总价	零部件中文名称	备注
1	14760901000001	Carburator Assy.	1	\$7,37			化油器部件	



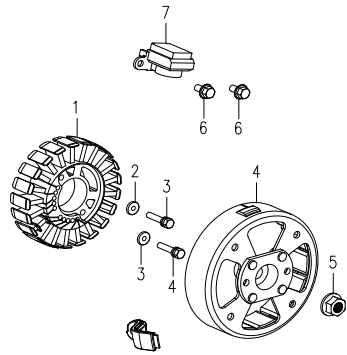
**FIG G. RECOIL STARTER**

No.	Part No.	Description	Qty	\$ Each	订货数量	总价	零部件中文名称	备注
1	14611100002001	Air Guide Sleeve A	1	\$2,32			导流罩A	
2	14611100003001	Air Guide Sleeve B	1	\$1,99			导流罩B	
3	00427014801641	Tap Screw ST4.8×16-F.H	8	\$0,03			自攻螺钉 ST4.8×16	
4	14611100004002	Oil Filler Hole Airproof Pad	1	\$0,41			注油口密封垫	
5	15601100001001	Cooling Fan	1	\$1,61			冷却风扇	
6	00204000802541	Inner Hexagon Screw M8×25	1	\$0,07			内六角螺钉 M8×25	
7	14610600002001	Starting Hub Seat	1	\$1,23			起动毂座	
8	00204000601041	Inner Hexagon Screw M6×10	2	\$0,04			内六角螺钉 M6×10	
9	14610600001001	Starting Hub	1	\$1,84			起动毂	
10	14611100001001	Fan Volute	1	\$1,62			风扇蜗壳	
11	15600601000001	<b>Recoil Starter Parts</b>	1	<b>\$2,46</b>			<b>启动拉盘部件</b>	
	15560602001101	Handle	1	\$0,21			手柄(座盖)	
	15560602003001	Fender	1	\$0,18			拉绳保护板	
12	15600600002003	Recoil Starter Bush	3	\$0,01			启动拉盘衬套	
13	00031000501612	Hexagon Flange Bolts M5×16	3	\$0,04			六角法兰面螺栓 M5×16	

**FIG H. MUFFLER**

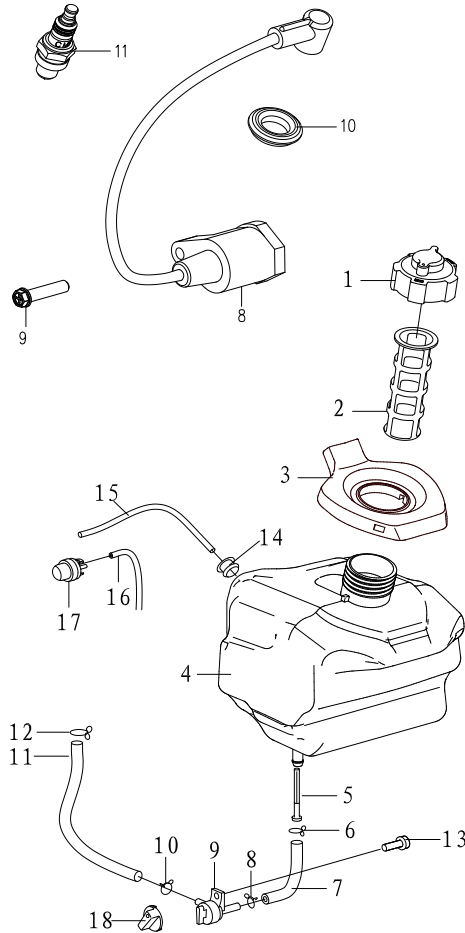


No.	Part No.	Description	Qty	\$ Each	订货数量	总价	零部件中文名称	备注
1	00722000604501	Bolt M6×45	2	\$0,06			组合螺栓 M6×45	
2	15600701000003	Muffler Assy.	1	\$4,48			消声器总成	15600701000101
3	14610700001011	<b>Muffler Pipe Gasket</b>	1	<b>\$0,10</b>			<b>消声器弯管密封垫片</b>	EPA状态
4	00722000607001	Bolt M6×70	1	\$0,08			组合螺栓 M6×70	
5	15600700002002	<b>Muffler Gasket</b>	1	<b>\$0,49</b>			<b>消声器垫片</b>	
6	14610700002002	Muffler Pipe	1	\$2,82			消声器弯管	
7	00030000500041	Washer 5	2	\$0,01			垫圈 5	
8	00101000500011	Hexagon Flange Nut M5	2	\$0,01			六角法兰面螺母 M5	



**FIG I. GENERATOR**

No.	Part No.	Description	Qty	\$ Each	订货数量	总价	零部件中文名称	备注
1	14611001100001	Stator 1.0KW 420V 580Hz	1	\$14,69			电机定子部件 (1KW 420V)	
	1461100000200 2	Bushing	1	\$0,55			护线套	
2	00030000500041	Washer 5	1	\$0,01			垫圈 5	
3	00722000503011	Hexagon Flange Bolts M5×30	2	\$0,17			平头六角螺栓M5X30	
4	14611001200001	Rotor	1	\$12,39			电机转子部件	
5	00129001000032	Hexagon Flange Nut M10×1.25	1	\$0,08			六角法兰面螺母 M10×1.25	
6	00033000501001	Hexagon Flange Bolts M5×10	1	\$0,03			六角法兰面螺栓 M5×10	
7	14761000004002	Trigger	1	\$0,95			触发器	
8	146110030000001	Ignition Coil	1	\$2,71			高压线包	
9	00241004802541	Tap Screw ST4.8×25-F.H	1	\$0,08			自攻螺钉 ST4.8×25-F.H	
10	14761000003001	Ignition Coil Cap With Shield	1	\$0,08			高压帽密封圈	
11	147010020000001	Spark Plug A5RTC	1	\$1,40			火花塞 A5RTC	



**FIG J. FUEL TANK**

No.	Part No.	Description	Qty	\$ Each	订货数量	总价	零部件中文名称	备注
1	462405010000	Fuel Tank Cap Assy.	1	\$0,72			油箱盖组件	
2	462405020000	Fuel Tank Filter	1	\$0,62			油滤网	
3	461203000080	Fuel Tank Port Rubber	1	\$1,47			油箱口橡胶件	
4	461205010000	Fuel Tank	1	\$3,74			油箱	
5	462405030000	Fuel Outlet Filter	1	\$0,08			出口滤网	
6	480202020110	Steel Wire Clamp Ø11	1	\$0,01			钢丝卡箍Ø11	
7	461205000010	Fuel Hose	1	\$0,23			单头膨胀油管	
8	480202020100	Steel Wire Clamp Ø10	1	\$0,01			钢丝卡箍Ø10	
9	460705020000	Fuel Cock	1	\$1,19			油开关组件	
10	480202010090	Steel Wire Clamp Ø9	1	\$0,04			卡箍Ø9	
11	461205000020	Fuel Hose 4.5×7.5×200	1	\$0,27			直型单头膨胀油管200	
12	480202010080	Clamp Ø 8	1	\$0,04			卡箍Ø 7.5	
13	004210148013	Tap Screw GB/T845 ST4.8×13-F	1	\$0,03			自攻螺钉GB/T845 ST4.8×13-F	
14	460705010020	Fuel-hole Plug	1	\$0,11			油塞	
15	480201250510	Fuel Hose 2.5×5×190	1	\$0,21			油管 (2.5-5) -190	
16	480201250510	Fuel Hose 2.5×5×80	1	\$0,08			油管 (2.5-5) -80	
17	460705030000	Fuel Lubricator	1	\$0,96			注油器 (双单向阀)	
18	460705010040	Fuel Cock Knob	1	\$0,03			油开关按钮	

FIG K. SHELL

No.	Part No.	Description	Qty	\$ Each	订货数量	总价	零部件中文名称	备注
1	004210148013	Screw ST4.8×13-F	18	\$0,03			自攻螺钉GB/T845 ST4.8×13-F	
2	461203000050	Right Side Cover	1	\$2,39			右侧盖	
3	460703000110	Fastener	17	\$0,01			扣件	
4	461203000040	Right Cover of Shell	1	\$3,66			外壳右罩	
5	461203000060	Edge Protection	1	\$0,66			护边	
6	461203010110	Vibration Absorber	4	\$0,40			底脚减振垫	
7	460703000120	Rubber Pad Φ6×Φ16×10	4	\$0,08			橡胶垫Φ6×Φ16×10	
8	461203000010	Left Cover of Shell	1	\$4,10			外壳左罩	
9	461203000030	Upper Cover	1	\$0,24			上盖	
10	461203000020	Left Side Cover	1	\$2,43			左侧盖	
11	461503000080	Clamp	1	\$0,04			卡箍	
12	461203000090	Muffler Cover	1	\$1,79			消音器罩	
13	461203000100	Muffler Cover Seal	1	\$1,38			消音器罩密封圈	
14	007090005018	Screw GB/T9074.4 M5×18	2	\$0,03			组合螺钉GB/T9074.4 M5×18	
15	001200005001	Hexagon Nut M5	4	\$0,01			六角螺母GB/T6170 M5	
16	002260005016	Cross Pan Head Screw M5×16	2	\$0,01			十字小盘头螺钉 M5×16	
17	460703000130	Rubber Pad Φ6.5×Φ16×2	4	\$0,03			橡胶平垫Φ6.5×Φ16×2	
18	001410006001	Lock Nut GB/T6187 M6	4	\$0,04			锁紧螺母GB/T6187 M6	
19	004210348095	Tap Screw GB/T845 ST4.8×9.5-F	3	\$0,03			自攻螺钉GB/T845 ST4.8×9.5-F	
20	461203000070	Panel Box	1	\$0,65			面板盒	

FIG L. GOVERNOR

No.	Part No.	Description	Qty	\$ Each	订货数量	总价	零部件中文名称	备注
1	460720020000	Stepper Motor Assy.	1	\$2,39			步进电机组件	
2	155609000020	Drive Arm	1	\$0,01			驱动臂	
3	155609000010	Drive Arm Spring	1	\$0,01			驱动臂弹簧	
4	007080004006	Screw M4×6	2	\$0,01			组合螺钉GB/T9074.3 M4×6	
5	003000004001	Spring Washer 4	1	\$0,01			弹垫4	

FIG M. INVERTER

No.	Part No.	Description	Qty	\$ Each	订货数量	总价	零部件中文名称	备注
1	461219020000	Inverter 1.0kw 230V50HZ	1	\$56,50			逆变器总成1.0KW 230V 50Hz	220, 230, 240V批次上注明
2	460719000010	Inverter Gasket	2	\$0,06			逆变器垫	
3	007090005012	Screw GB/T9074.4 M5×12	3	\$0,01			组合螺钉GB/T9074.4 M5×12	
4	462419000010	Inverter Bottom Gasket	2	\$0,13			逆变器底垫	

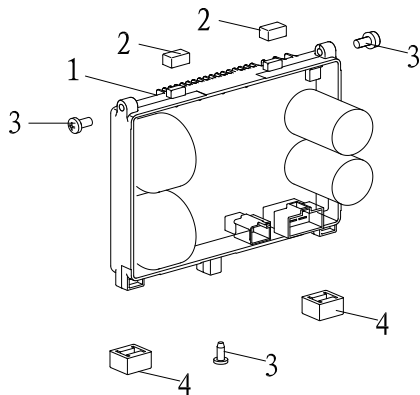
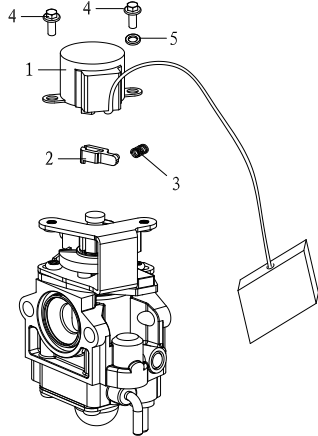
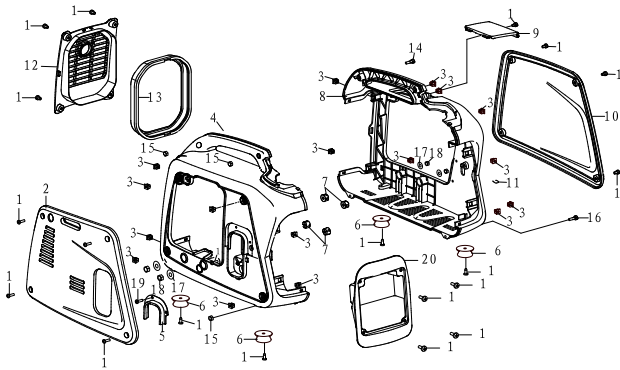
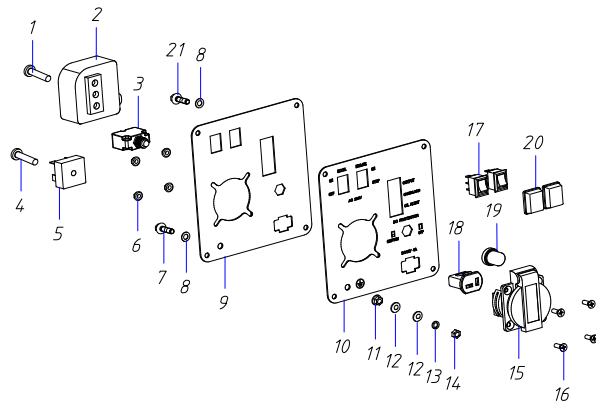


FIG N. CONTROL PANEL (FOR EU)



No.	Part No.	Description	Qty	\$ Each	订货数量	总价	零部件中文名称	备注
1	007090005016	Cross Pan Head Screw M5×16	1	\$0,01			组合螺钉GB/T9074.4 M5×16	
2	462417016000	Ignition Controller	1	\$5,85			点火控制器	
3	480107881450	Overload Protector 4.5A	1	\$0,92			过载保护器 4.5A	
4	007080005016	Screw M5×16	1	\$0,01			组合螺钉GB/T9074.3 M5×16	
5	480110350200	Rectifier KBPC3502	1	\$0,99			整流桥组KBPC3502	
6	001280004001	Hexagon Flange Nut M4	4	\$0,01			法兰螺母GB/T6177 M4	
7	000330005016	Flange Bolt GB/16674 M5×16	1	\$0,04			六角法兰头螺栓GB/16674 M5×16	
8	003210005001	Lock Gasket GB862.2 φ5	3	\$0,01			外锯齿锁紧垫圈GB862.2 φ5	
9	461217011000	Panel Components	1	\$1,19			面板部件	
10	461288000010	Panel Sticker	1	\$0,49			面板标贴	
11	001280005001	Hexagon Flange Nut M5	1	\$0,01			法兰螺母GB/T6177 M5	
12	003020005001	Washer GB/T97 φ5	2	\$0,01			平垫GB/T97 φ5	
13	003000005001	Spring Washer GB/T93 φ5	1	\$0,01			弹垫GB/T93 φ5	
14	001200005001	Hexagon Flange Nut M5	1	\$0,01			六角螺母GB/T6170 M5	
15	480101010010	European Socket	1	\$1,14			欧式插座	
16	002210004012	Countersunk Head Screw M4×12	4	\$0,01			沉头螺钉GB/T819 M4×12	
17	480105010010	Boat Switch	2	\$0,16			船型开关	
18	480101090030	DC Charging Socket	1	\$0,38			L型充电插座	
19	480107000020	Overload Protector, Waterproof Cap	1	\$0,32			过载保护器防水帽	
20	480105090010	Boat Switch, Waterproof Cap	2	\$0,07			船形开关防水帽	
21	007090005008	Screw M5×8	2	\$0,01			螺钉组合件 M5×8	
	461217010000	Control panel	1				面板总成欧式	